

## FEATURES

High performance member of pin-compatible

TxDAC product family

Linearity

0.1 LSB DNL

0.1 LSB INL

Twos complement or straight binary data format

Differential current outputs: 2 mA to 20 mA

Power dissipation: 135 mW @ 3.3 V

Power-down mode: 15 mW @ 3.3 V

On-chip 1.20 V reference

CMOS-compatible digital interface

32-lead LFCSP

Edge-triggered latches

Fast settling: 11 ns to 0.1% full-scale

## APPLICATIONS

Communications

Direct digital synthesis (DSS)

Instrumentation

## FUNCTIONAL BLOCK DIAGRAM

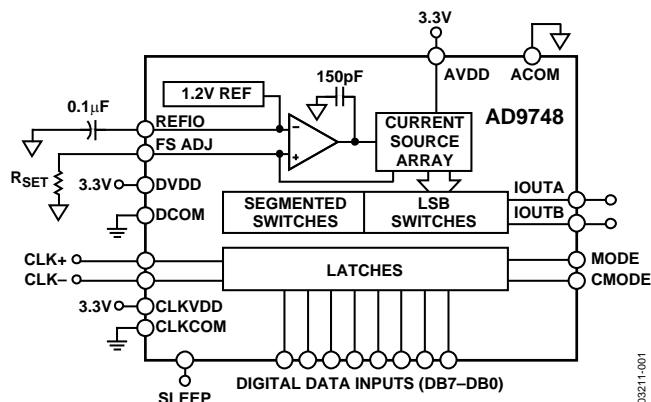


Figure 1.

## GENERAL DESCRIPTION

The AD9748<sup>1</sup> is an 8-bit resolution, wideband, third generation member of the TxDAC series of high performance, low power CMOS digital-to-analog converters (DACs). The TxDAC family, consisting of pin-compatible 8-, 10-, 12-, and 14-bit DACs, is specifically optimized for the transmit signal path of communication systems. All of the devices share the same interface options, small outline package, and pinout, providing an upward or downward component selection path based on performance, resolution, and cost. The AD9748 offers exceptional ac and dc performance while supporting update rates up to 210 MSPS.

The AD9748's low power dissipation makes it well suited for portable and low power applications. Its power dissipation can be further reduced to 60 mW with a slight degradation in performance by lowering the full-scale current output. In addition, a power-down mode reduces the standby power dissipation to approximately 15 mW. A segmented current source architecture is combined with a proprietary switching technique to reduce spurious components and enhance dynamic performance.

Edge-triggered input latches and a 1.2 V temperature-compensated band gap reference have been integrated to provide a complete monolithic DAC solution. The digital inputs support 3 V CMOS logic families.

## PRODUCT HIGHLIGHTS

1. 32-lead LFCSP.
2. The AD9748 is the 8-bit member of the pin-compatible TxDAC family, which offers excellent INL and DNL performance.
3. Differential or single-ended clock input (LVPECL or CMOS), supports 210 MSPS conversion rate.
4. Data input supports twos complement or straight binary data coding.
5. Low power: Complete CMOS DAC function operates on 135 mW from a 2.7 V to 3.6 V single supply. The DAC full-scale current can be reduced for lower power operation, and a sleep mode is provided for low power idle periods.
6. On-chip voltage reference: The AD9748 includes a 1.2 V temperature-compensated band gap voltage reference.

<sup>1</sup> Protected by U.S. Patent Numbers 5568145, 5689257, and 5703519.

Rev. B

[Document Feedback](#)

Information furnished by Analog Devices is believed to be accurate and reliable. However, no responsibility is assumed by Analog Devices for its use, nor for any infringements of patents or other rights of third parties that may result from its use. Specifications subject to change without notice. No license is granted by implication or otherwise under any patent or patent rights of Analog Devices. Trademarks and registered trademarks are the property of their respective owners.

## TABLE OF CONTENTS

Features .....	1	Reference Control Amplifier .....	11
Applications.....	1	DAC Transfer Function .....	12
Functional Block Diagram .....	1	Analog Outputs .....	12
General Description .....	1	Digital Inputs .....	13
Product Highlights .....	1	Clock Input.....	13
Revision History .....	2	DAC Timing.....	14
Specifications.....	3	Power Dissipation.....	14
DC Specifications .....	3	Applying the AD9748 .....	15
Dynamic Specifications .....	4	Differential Coupling Using a Transformer .....	15
Digital Specifications .....	5	Differential Coupling Using an Op Amp.....	16
Absolute Maximum Ratings.....	6	Single-Ended, Unbuffered Voltage Output.....	16
Thermal Characteristics .....	6	Single-Ended, Buffered Voltage Output Configuration.....	16
ESD Caution.....	6	Power and Grounding Considerations, Power Supply Rejection.....	17
Pin Configuration and Function Descriptions.....	7	Evaluation Board .....	18
Terminology .....	8	General Description.....	18
Typical Performance Characteristics .....	9	Outline Dimensions .....	24
Functional Description .....	11	Ordering Guide .....	24
Reference Operation .....	11		

## REVISION HISTORY

### 3/13—Rev. A to Rev. B

Changed CP-32-2 to CP-32-7 .....	Universal
Changes to Figure 3 and Table 5.....	7
Changes to Ordering Guide .....	24

### 12/05—Rev. 0 to Rev. A

Updated Format.....	Universal
Changes to General Description and Product Highlights .....	1
Changes to Table 1.....	3
Changes to Table 2.....	4
Changes to Table 4.....	6
Inserted Figure 7; Renumbered Sequentially.....	9
Changes to Figure 8 and Figure 9.....	9

Changes to Functional Description, Reference Operation, and Reference Control Amplifier Sections .....	11
Inserted Figure 16; Renumbered Sequentially .....	11
Changes to DAC Transfer Function Section.....	12
Changes to Digital Inputs Section.....	13
Changes to Figure 22, Figure 23, and Figure 24 .....	14
Changes to Figure 25.....	15
Changes to Figure 26, Figure 27, Figure 28, and Figure 29.....	16
Updated Outline Dimensions .....	24
Changes to Ordering Guide .....	24

### 2/03—Revision 0: Initial Version

## SPECIFICATIONS

### DC SPECIFICATIONS

$T_{MIN}$  to  $T_{MAX}$ ,  $AVDD = 3.3$  V,  $DVDD = 3.3$  V,  $CLKVDD = 3.3$  V,  $I_{OUTFS} = 20$  mA, unless otherwise noted.

Table 1.

Parameter	Min	Typ	Max	Unit
RESOLUTION	8			Bits
DC ACCURACY <sup>1</sup>				
Integral Linearity Error (INL)	±0.25	±0.1	+0.25	LSB
Differential Nonlinearity (DNL)	±0.25	±0.1	+0.25	LSB
ANALOG OUTPUT				
Offset Error	−0.02		+0.02	% of FSR
Gain Error (Without Internal Reference)	−0.5	±0.1	+0.5	% of FSR
Gain Error (With Internal Reference)	−0.5	±0.1	+0.5	% of FSR
Full-Scale Output Current <sup>2</sup>	2.0		20.0	mA
Output Compliance Range	−1.0		+1.25	V
Output Resistance		100		kΩ
Output Capacitance		5		pF
REFERENCE OUTPUT				
Reference Voltage	1.14	1.20	1.26	V
Reference Output Current <sup>3</sup>		100		nA
REFERENCE INPUT				
Input Compliance Range	0.1		1.25	V
Reference Input Resistance (External Reference)		7		kΩ
Small Signal Bandwidth		0.5		MHz
TEMPERATURE COEFFICIENTS				
Offset Drift		0		ppm of FSR/°C
Gain Drift (Without Internal Reference)		±50		ppm of FSR/°C
Gain Drift (With Internal Reference)		±100		ppm of FSR/°C
Reference Voltage Drift		±50		ppm/°C
POWER SUPPLY				
Supply Voltages				
AVDD	2.7	3.3	3.6	V
DVDD	2.7	3.3	3.6	V
CLKVDD	2.7	3.3	3.6	V
Analog Supply Current ( $I_{AVDD}$ )		33	36	mA
Digital Supply Current ( $I_{DVDD}$ ) <sup>4</sup>		8	9	mA
Clock Supply Current ( $I_{CLKVDD}$ )		5	7	mA
Supply Current Sleep Mode ( $I_{AVDD}$ )		5	6	mA
Power Dissipation <sup>4</sup>		135	145	mW
Power Dissipation <sup>5</sup>		145		mW
Power Supply Rejection Ratio—AVDD <sup>6</sup>	−1		+1	% of FSR/V
Power Supply Rejection Ratio—DVDD <sup>6</sup>	−0.04		+0.04	% of FSR/V
OPERATING RANGE	−40		+85	°C

<sup>1</sup> Measured at IOUTA, driving a virtual ground.

<sup>2</sup> Nominal full-scale current,  $I_{OUTFS}$ , is 32 times the  $I_{REF}$  current.

<sup>3</sup> An external buffer amplifier with input bias current <100 nA should be used to drive any external load.

<sup>4</sup> Measured at  $f_{CLOCK} = 100$  MSPS and  $f_{OUT} = 1$  MHz.

<sup>5</sup> Measured as unbuffered voltage output with  $I_{OUTFS} = 20$  mA,  $50 \Omega$   $R_{LOAD}$  at IOUTA and IOUTB,  $f_{CLOCK} = 100$  MSPS, and  $f_{OUT} = 40$  MHz.

<sup>6</sup> ±5% power supply variation.

**DYNAMIC SPECIFICATIONS**

$T_{MIN}$  to  $T_{MAX}$ ,  $AVDD = 3.3$  V,  $DVDD = 3.3$  V,  $CLKVDD = 3.3$  V,  $I_{OUTFS} = 20$  mA, differential transformer coupled output, 50  $\Omega$  doubly terminated, unless otherwise noted.

**Table 2.**

Parameter	Min	Typ	Max	Unit
<b>DYNAMIC PERFORMANCE</b>				
Maximum Output Update Rate ( $f_{CLOCK}$ )	210			MSPS
Output Settling Time ( $t_{ST}$ ) (to 0.1%) <sup>1</sup>		11		ns
Output Propagation Delay ( $t_{PD}$ )		1		ns
Glitch Impulse		5		pV-s
Output Rise Time (10% to 90%) <sup>1</sup>		2.5		ns
Output Fall Time (10% to 90%) <sup>1</sup>		2.5		ns
Output Noise ( $I_{OUTFS} = 20$ mA) <sup>2</sup>		50		pA/ $\sqrt{Hz}$
Output Noise ( $I_{OUTFS} = 2$ mA) <sup>2</sup>		30		pA/ $\sqrt{Hz}$
<b>AC LINEARITY</b>				
<b>Signal-to-Noise and Distortion Ratio</b>				
$f_{CLOCK} = 50$ MSPS; $f_{OUT} = 5$ MHz		50		dB
$f_{CLOCK} = 50$ MSPS; $f_{OUT} = 19$ MHz		48		dB
$f_{CLOCK} = 100$ MSPS; $f_{OUT} = 5$ MHz		50		dB
$f_{CLOCK} = 100$ MSPS; $f_{OUT} = 39$ MHz		46		dB
$f_{CLOCK} = 165$ MSPS; $f_{OUT} = 5$ MHz		50		dB
$f_{CLOCK} = 165$ MSPS; $f_{OUT} = 49$ MHz		47		dB
$f_{CLOCK} = 210$ MSPS; $f_{OUT} = 9$ MHz		50		dB
$f_{CLOCK} = 210$ MSPS; $f_{OUT} = 68$ MHz		46		dB
<b>Total Harmonic Distortion</b>				
$f_{CLOCK} = 25$ MSPS; $f_{OUT} = 1$ MHz		-72	-61	dBc
$f_{CLOCK} = 50$ MSPS; $f_{OUT} = 12.5$ MHz		-65		dBc
$f_{CLOCK} = 100$ MSPS; $f_{OUT} = 25$ MHz		-60		dBc
$f_{CLOCK} = 165$ MSPS; $f_{OUT} = 41.3$ MHz		-58		dBc
$f_{CLOCK} = 210$ MSPS; $f_{OUT} = 68$ MHz		-65		dBc
<b>Spurious-Free Dynamic Range to Nyquist</b>				
$f_{CLOCK} = 25$ MSPS; $f_{OUT} = 1$ MHz				
0 dBFS Output	61	72		dBc
$f_{CLOCK} = 65$ MSPS; $f_{OUT} = 5$ MHz		69		dBc
$f_{CLOCK} = 65$ MSPS; $f_{OUT} = 19$ MHz		65		dBc
$f_{CLOCK} = 100$ MSPS; $f_{OUT} = 5$ MHz		68		dBc
$f_{CLOCK} = 100$ MSPS; $f_{OUT} = 39$ MHz		62		dBc
$f_{CLOCK} = 165$ MSPS; $f_{OUT} = 5$ MHz		68		dBc
$f_{CLOCK} = 165$ MSPS; $f_{OUT} = 49$ MHz		54		dBc
$f_{CLOCK} = 210$ MSPS; $f_{OUT} = 5$ MHz		67		dBc
$f_{CLOCK} = 210$ MSPS; $f_{OUT} = 68$ MHz		60		dBc

<sup>1</sup> Measured single-ended into 50  $\Omega$  load.

<sup>2</sup> Output noise is measured with a full-scale output set to 20 mA with no conversion activity. It is a measure of the thermal noise only.

**DIGITAL SPECIFICATIONS**

T<sub>MIN</sub> to T<sub>MAX</sub>, AVDD = 3.3 V, DVDD = 3.3 V, CLKVDD = 3.3 V, I<sub>OUTFS</sub> = 20 mA, unless otherwise noted.

**Table 3.**

Parameter	Min	Typ	Max	Unit
<b>DIGITAL INPUTS</b>				
Logic 1 Voltage	2.1	3		V
Logic 0 Voltage		0	0.9	V
Logic 1 Current	-10		+10	μA
Logic 0 Current	-10		+10	μA
Input Capacitance		5		pF
Input Setup Time (t <sub>s</sub> )	2.0			ns
Input Hold Time (t <sub>H</sub> )	1.5			ns
Latch Pulse Width (t <sub>LPW</sub> )	1.5			ns
<b>CLK INPUTS<sup>1</sup></b>				
Input Voltage Range	0		3	V
Common-Mode Voltage	0.75	1.5	2.25	V
Differential Voltage	0.5	1.5		V

<sup>1</sup> Applicable to CLK+ and CLK- inputs when configured for differential or PECL clock input mode.

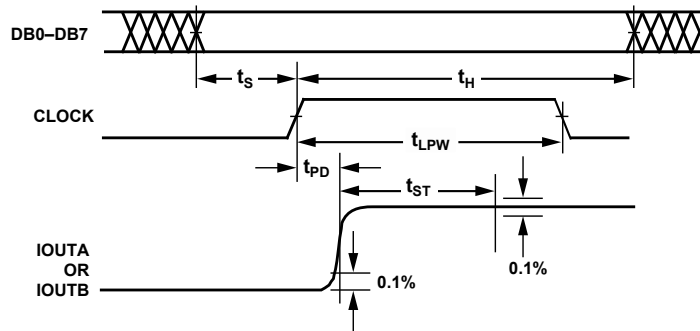


Figure 2. Timing Diagram

08211-002

## ABSOLUTE MAXIMUM RATINGS

Table 4.

Parameter	With Respect to			Unit
		Min	Max	
AVDD	ACOM	-0.3	+3.9	V
DVDD	DCOM	-0.3	+3.9	V
CLKVDD	CLKCOM	-0.3	+3.9	V
ACOM	DCOM	-0.3	+0.3	V
ACOM	CLKCOM	-0.3	+0.3	V
DCOM	CLKCOM	-0.3	+0.3	V
AVDD	DVDD	-3.9	+3.9	V
AVDD	CLKVDD	-3.9	+3.9	V
DVDD	CLKVDD	-3.9	+3.9	V
CLK+, CLK-, SLEEP	DCOM	-0.3	DVDD + 0.3	V
Digital Inputs, MODE	DCOM	-0.3	DVDD + 0.3	V
IOUTA, IOUTB	ACOM	-1.0	AVDD + 0.3	V
REFIO, FS ADJ	ACOM	-0.3	AVDD + 0.3	V
CLK+, CLK-, MODE	CLKCOM	-0.3	CLKVDD + 0.3	V
Junction Temperature			150	°C
Storage Temperature Range		-65	+150	°C
Lead Temperature (10 sec)			300	°C

Stresses above those listed under Absolute Maximum Ratings may cause permanent damage to the device. This is a stress rating only; functional operation of the device at these or any other conditions above those indicated in the operational sections of this specification is not implied. Exposure to absolute maximum ratings for extended periods may effect device reliability.

### ESD CAUTION

ESD (electrostatic discharge) sensitive device. Electrostatic charges as high as 4000 V readily accumulate on the human body and test equipment and can discharge without detection. Although this product features proprietary ESD protection circuitry, permanent damage may occur on devices subjected to high energy electrostatic discharges. Therefore, proper ESD precautions are recommended to avoid performance degradation or loss of functionality.



### THERMAL CHARACTERISTICS<sup>1</sup>

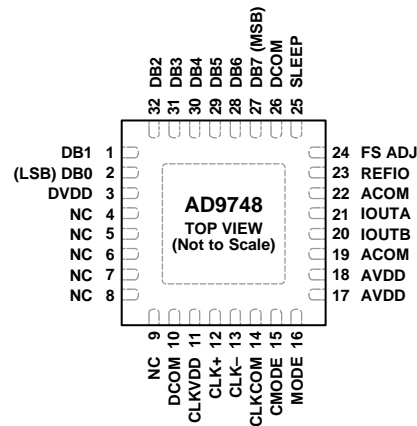
#### Thermal Resistance

32-Lead LFCSP

$$\theta_{JA} = 32.5^{\circ}\text{C/W}$$

<sup>1</sup> Thermal impedance measurements were taken on a 4-layer board in still air, in accordance with EIA/JESD51-7.

## PIN CONFIGURATION AND FUNCTION DESCRIPTIONS



## NOTES

1. NC = NO CONNECT. DO NOT CONNECT TO THIS PIN.
2. IT IS RECOMMENDED THAT THE EXPOSED PAD BE THERMALLY CONNECTED TO A COPPER GROUND PLANE FOR ENHANCED ELECTRICAL AND THERMAL PERFORMANCE.

03211-003

Figure 3. Pin Configuration

Table 5. Pin Function Descriptions

Pin No.	Mnemonic	Description
27	DB7 (MSB)	Most Significant Data Bit (MSB).
28 to 32, 1	DB6 to DB1	Data Bits 6 to 1.
2	DB0 (LSB)	Least Significant Data Bit (LSB).
3	DVDD	Digital Supply Voltage (3.3 V).
4 to 9	NC	No Internal Connection.
10, 26	DCOM	Digital Common.
11	CLKVDD	Clock Supply Voltage (3.3 V).
12	CLK+	Differential Clock Input.
13	CLK-	Differential Clock Input.
14	CLKCOM	Clock Common.
15	CMODE	Clock Mode Selection. Connect to CLKCOM for single-ended clock receiver (drive CLK+ and float CLK-). Connect to CLKVDD for differential receiver. Float for PECL receiver (terminations on-chip).
16	MODE	Selects Input Data Format. Connect to DCOM for straight binary, DVDD for twos complement.
17, 18	AVDD	Analog Supply Voltage (3.3 V).
19, 22	ACOM	Analog Common.
20	IOUTB	Complementary DAC Current Output. Full-scale current when all data bits are 0s.
21	IOUTA	DAC Current Output. Full-scale current when all data bits are 1s.
23	REFIO	Reference Input/Output. Requires 0.1 $\mu$ F capacitor to ACOM.
24	FS ADJ	Full-Scale Current Output Adjust.
25	SLEEP	Power-Down Control Input. Active high. Contains active pull-down circuit; it can be left unterminated if not used.
	EPAD	It is recommended that the exposed pad be thermally connected to a copper ground plane for enhanced electric and thermal performance.

## TERMINOLOGY

### Linearity Error (Also Called Integral Nonlinearity or INL)

Linearity error is defined as the maximum deviation of the actual analog output from the ideal output, determined by a straight line drawn from zero to full scale.

### Differential Nonlinearity (or DNL)

DNL is the measure of the variation in analog value, normalized to full scale, associated with a 1 LSB change in digital input code.

### Monotonicity

A DAC is monotonic if the output increases or remains constant as the digital input increases.

### Offset Error

The deviation of the output current from the ideal of zero is called the offset error. For IOUTA, 0 mA output is expected when the inputs are all 0s. For IOUTB, 0 mA output is expected when all inputs are set to 1s.

### Gain Error

The difference between the actual and ideal output span. The actual span is determined by the output when all inputs are set to 1s minus the output when all inputs are set to 0s.

### Output Compliance Range

The range of allowable voltage at the output of a current output DAC. Operation beyond the maximum compliance limits can cause either output stage saturation or breakdown, resulting in nonlinear performance.

### Temperature Drift

Temperature drift is specified as the maximum change from the ambient (25°C) value to the value at either  $T_{MIN}$  or  $T_{MAX}$ . For offset and gain drift, the drift is reported in ppm of full-scale range (FSR) per °C. For reference drift, the drift is reported in ppm per °C.

### Power Supply Rejection

The maximum change in the full-scale output as the supplies are varied from nominal to minimum and maximum specified voltages.

### Settling Time

The time required for the output to reach and remain within a specified error band about its final value, measured from the start of the output transition.

### Glitch Impulse

Asymmetrical switching times in a DAC give rise to undesired output transients that are quantified by a glitch impulse. It is specified as the net area of the glitch in pV-s.

### Spurious-Free Dynamic Range

The difference, in dB, between the rms amplitude of the output signal and the peak spurious signal over the specified bandwidth.

### Total Harmonic Distortion (THD)

THD is the ratio of the rms sum of the first six harmonic components to the rms value of the measured input signal. It is expressed as a percentage or in decibels (dB).

### Multitone Power Ratio

The spurious-free dynamic range containing multiple carrier tones of equal amplitude. It is measured as the difference between the rms amplitude of a carrier tone to the peak spurious signal in the region of a removed tone.

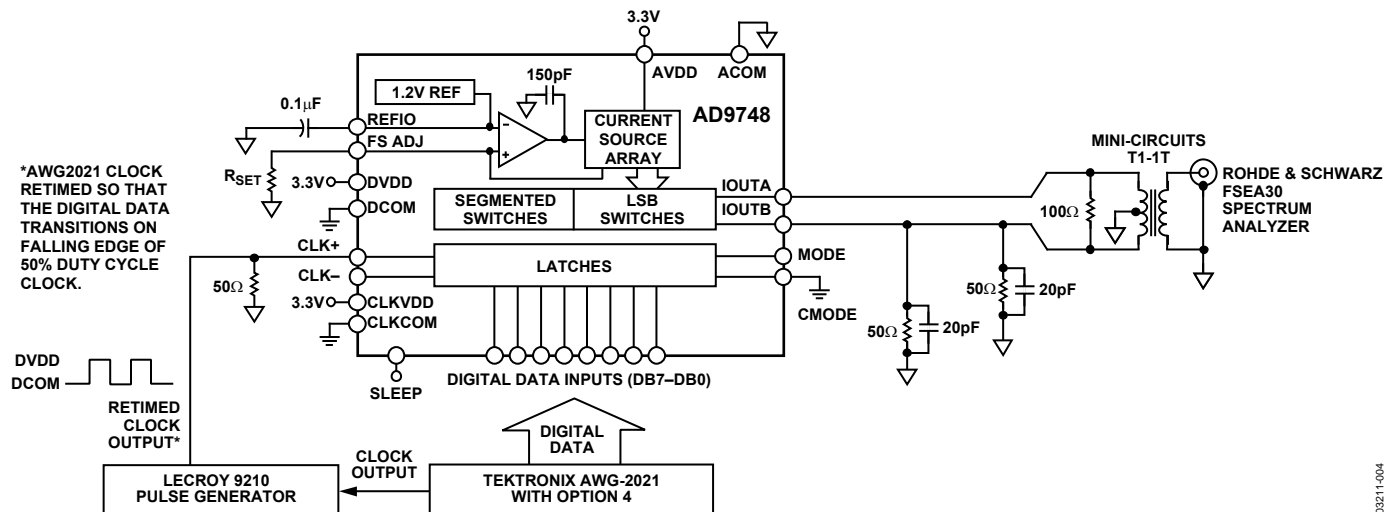


Figure 4. Basic AC Characterization Test Setup (SOIC/TSSOP Packages)



### TYPICAL PERFORMANCE CHARACTERISTICS

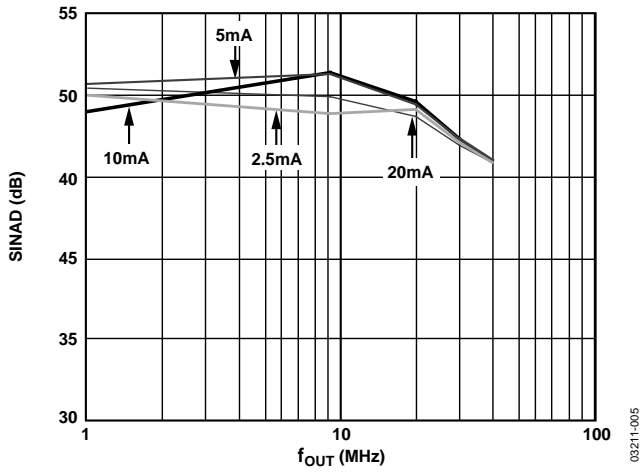


Figure 5. SINAD vs.  $I_{OUTFS}$  @ 100 MSPS (Single-Ended Output)

03211-005

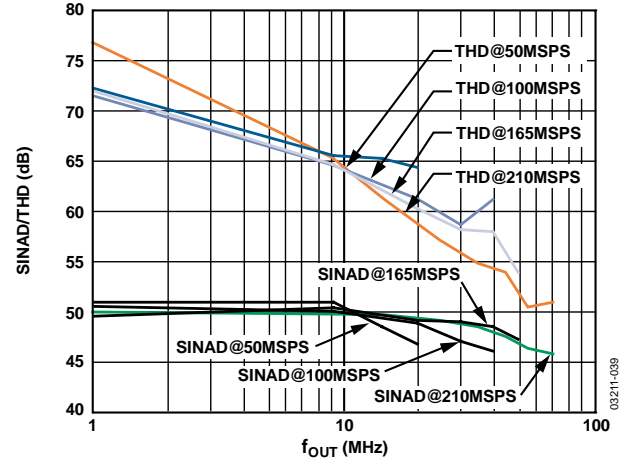


Figure 8. SINAD/THD vs.  $f_{OUT}$  (Single-Ended Output)

03211-039

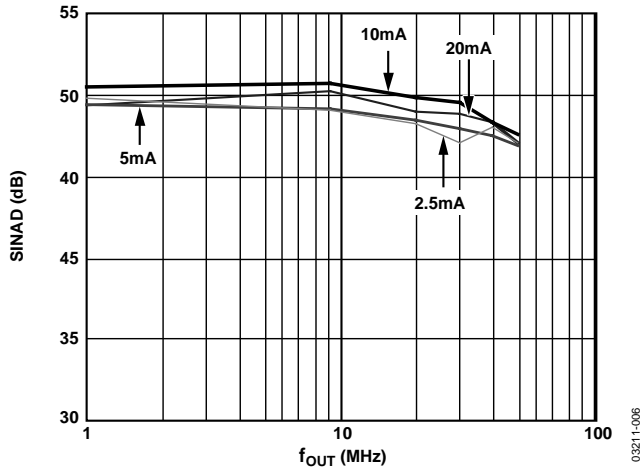


Figure 6. SINAD vs.  $I_{OUTFS}$  @ 165 MSPS (Single-Ended Output)

03211-006

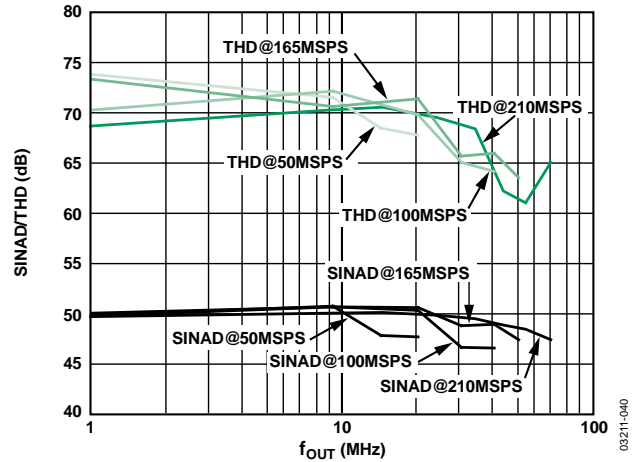


Figure 9. SINAD/THD vs.  $f_{OUT}$  (Differential Output)

03211-040

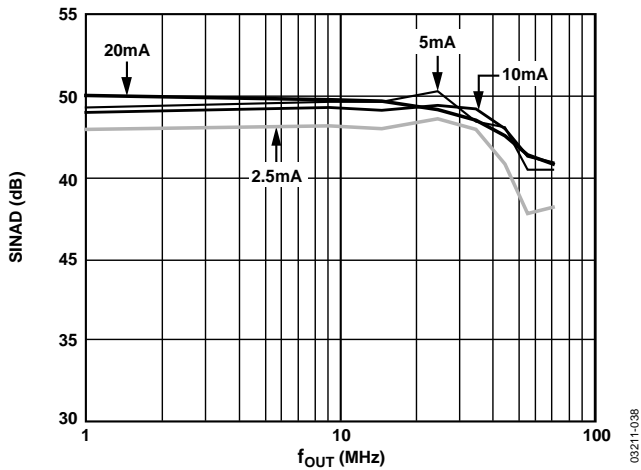


Figure 7. SINAD vs.  $I_{OUTFS}$  @ 210 MSPS (Single-Ended Output)

03211-038

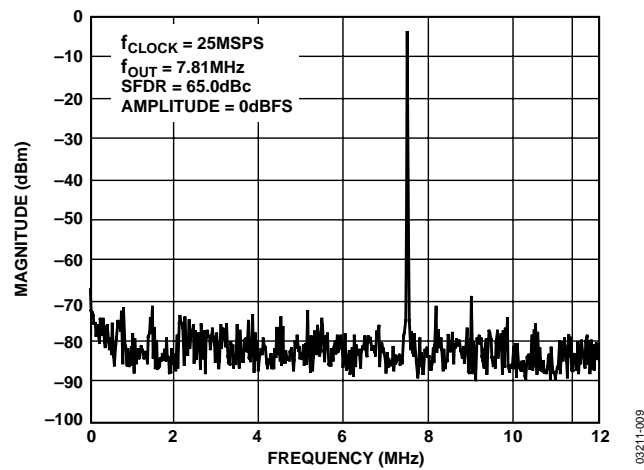


Figure 10. Single-Tone Spectral Plot @ 25 MSPS (Single-Ended Output)

03211-009

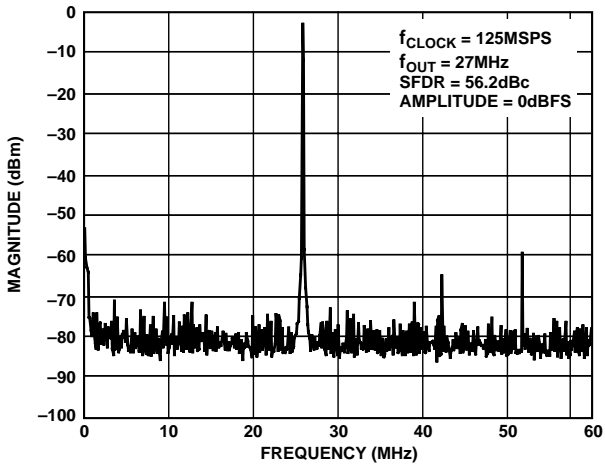


Figure 11. Single-Tone Spectral Plot @ 125 MSPS (Single-Ended Output)

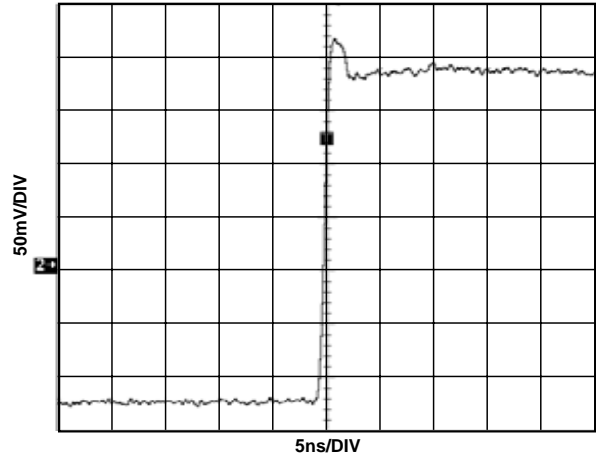


Figure 13. Step Response (Single-Ended Output)

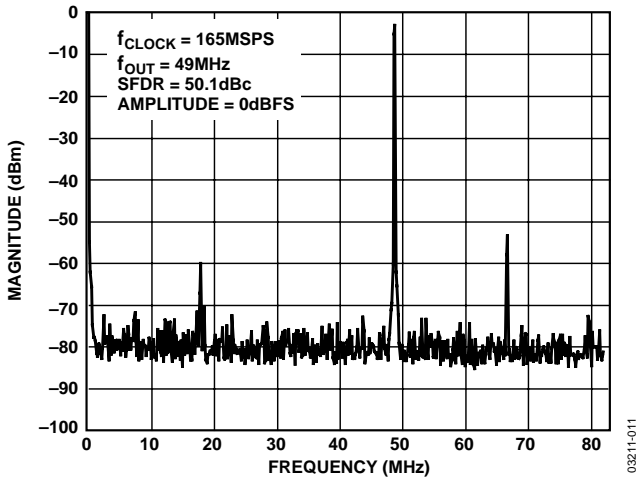


Figure 12. Single-Tone Spectral Plot @ 165 MSPS (Single-Ended Output)

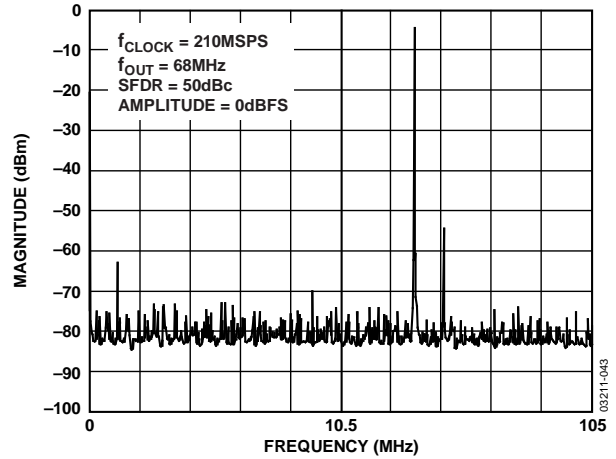


Figure 14. Single-Tone Spectral Plot @ 210 MSPS (Single-Ended Output)

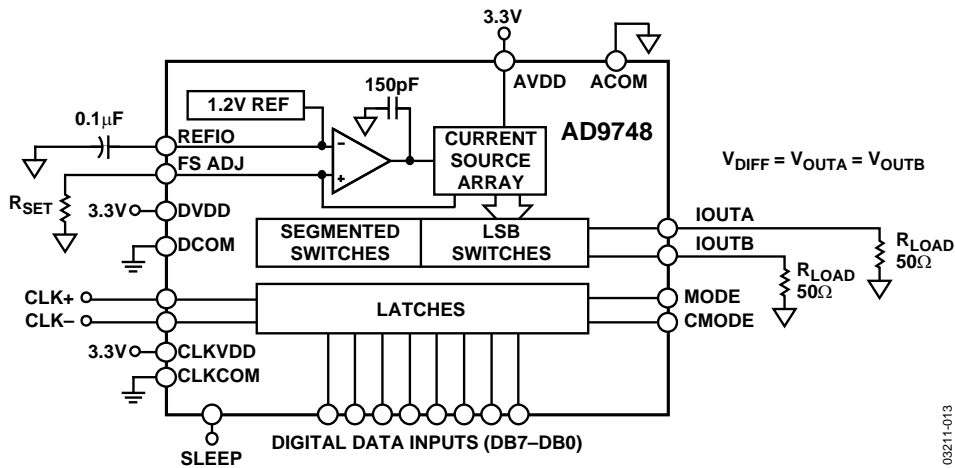


Figure 15. Simplified Block Diagram

## FUNCTIONAL DESCRIPTION

Figure 15 shows a simplified block diagram of the AD9748. The AD9748 consists of a DAC, digital control logic, and full-scale output current control. The DAC contains a PMOS current source array capable of providing up to 20 mA of full-scale current ( $I_{OUTFS}$ ). The array is divided into 31 equal currents that make up the five most significant bits (MSBs). The next three bits consist of seven equal current sources whose value is  $\frac{1}{8}$  of an MSB current source. Implementing the lower bits with current sources, instead of an R-2R ladder, enhances its dynamic performance for multitone or low amplitude signals and helps maintain the DAC's high output impedance (that is,  $>100\text{ k}\Omega$ ).

All of these current sources are switched to one or the other of the two output nodes (that is, IOUTA or IOUTB) via PMOS differential current switches. The switches are based on the architecture that was pioneered in the AD9764 family, with further refinements to reduce distortion contributed by the switching transient. This switch architecture also reduces various timing errors and provides matching complementary drive signals to the inputs of the differential current switches.

The analog and digital sections of the AD9748 have separate power supply inputs (that is, AVDD and DVDD) that can operate independently over a 2.7 V to 3.6 V range. The digital section, which is capable of operating at a rate of up to 210 MSPS, consists of edge-triggered latches and segment decoding logic circuitry. The analog section includes the PMOS current sources, the associated differential switches, a 1.2 V band gap voltage reference, and a reference control amplifier.

The DAC full-scale output current is regulated by the reference control amplifier and can be set from 2 mA to 20 mA via an external resistor,  $R_{SET}$ , connected to the full-scale adjust (FS ADJ) pin. The external resistor, in combination with both the reference control amplifier and voltage reference,  $V_{REFIO}$ , sets the reference current,  $I_{REF}$ , which is replicated to the segmented current sources with the proper scaling factor. The full-scale current,  $I_{OUTFS}$ , is 32 times  $I_{REF}$ .

## REFERENCE OPERATION

The AD9748 contains an internal 1.2 V band gap reference. The internal reference cannot be disabled but can be easily overridden by an external reference with no effect on performance. Figure 16 shows an equivalent circuit of the band gap reference. REFIO serves as either an output or an input depending on whether the internal or an external reference is used. To use the internal reference, simply decouple the REFIO pin to ACOM with a  $0.1\ \mu\text{F}$  capacitor and connect REFLO to ACOM via a resistance less than  $5\ \Omega$ . The internal reference voltage are present at REFIO. If the voltage at REFIO is to be used anywhere else in the circuit, than an external buffer amplifier with an input bias

current of less than 100 nA should be used. An example of the use of the internal reference is shown in Figure 17.

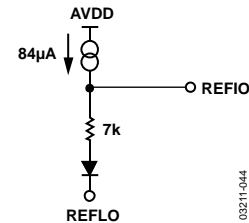


Figure 16. Equivalent Circuit of Internal Reference

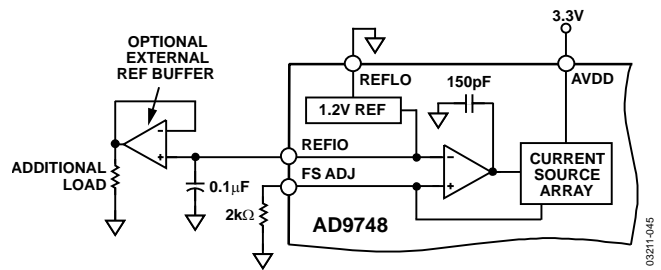


Figure 17. Internal Reference Configuration

An external reference can be applied to REFIO, as shown in Figure 18. The external reference can provide either a fixed reference voltage to enhance accuracy and drift performance or a varying reference voltage for gain control. Note that the  $0.1\ \mu\text{F}$  compensation capacitor is not required because the internal reference is overridden, and the relatively high input impedance of REFIO minimizes any loading of the external reference.

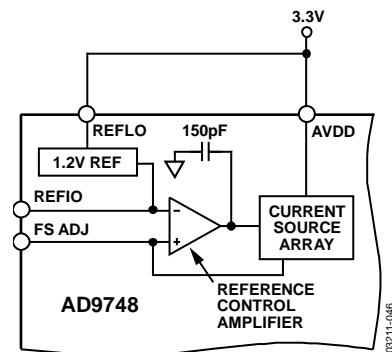


Figure 18. External Reference Configuration

## REFERENCE CONTROL AMPLIFIER

The AD9748 contains a control amplifier that is used to regulate the full-scale output current,  $I_{OUTFS}$ . The control amplifier is configured as a V-I converter, as shown in Figure 17, so that its current output,  $I_{REF}$ , is determined by the ratio of the  $V_{REFIO}$  and an external resistor,  $R_{SET}$ , as stated in Equation 4.  $I_{REF}$  is copied to the segmented current sources with the proper scale factor to set  $I_{OUTFS}$ , as stated in Equation 3.

The control amplifier allows a wide (10:1) adjustment span of  $I_{OUTFS}$  over a 2 mA to 20 mA range by setting  $I_{REF}$  between 62.5  $\mu$ A and 625  $\mu$ A. The wide adjustment span of  $I_{OUTFS}$  provides several benefits. The first relates directly to the power dissipation of the AD9748, which is proportional to  $I_{OUTFS}$  (see the Power Dissipation section). The second relates to a 20 dB adjustment, which is useful for system gain control purposes.

The small signal bandwidth of the reference control amplifier is approximately 500 kHz and can be used for low frequency small signal multiplying applications.

## DAC TRANSFER FUNCTION

The AD9748 provides complementary current outputs,  $I_{OUTA}$  and  $I_{OUTB}$ .  $I_{OUTA}$  provides a near full-scale current output,  $I_{OUTFS}$ , when all bits are high (that is,  $DAC\ CODE = 255$ ), while  $I_{OUTB}$ , the complementary output, provides no current. The current output appearing at  $I_{OUTA}$  and  $I_{OUTB}$  is a function of both the input code and  $I_{OUTFS}$  and can be expressed as:

$$I_{OUTA} = (DAC\ CODE/256) \times I_{OUTFS} \quad (1)$$

$$I_{OUTB} = (255 - DAC\ CODE)/256 \times I_{OUTFS} \quad (2)$$

where  $DAC\ CODE = 0$  to 255 (that is, decimal representation).

As mentioned previously,  $I_{OUTFS}$  is a function of the reference current  $I_{REF}$ , which is nominally set by a reference voltage,  $V_{REFIO}$ , and external resistor,  $R_{SET}$ . It can be expressed as:

$$I_{OUTFS} = 32 \times I_{REF} \quad (3)$$

where

$$I_{REF} = V_{REFIO}/R_{SET} \quad (4)$$

The two current outputs typically drive a resistive load directly or via a transformer. If dc coupling is required, then  $I_{OUTA}$  and  $I_{OUTB}$  should be directly connected to matching resistive loads,  $R_{LOAD}$ , that are tied to analog common, ACOM. Note that  $R_{LOAD}$  can represent the equivalent load resistance seen by  $I_{OUTA}$  or  $I_{OUTB}$  as would be the case in a doubly terminated 50  $\Omega$  terminated voltage output appearing at the  $I_{OUTA}$  and  $I_{OUTB}$  nodes is simply

$$V_{OUTA} = I_{OUTA} \times R_{LOAD} \quad (5)$$

$$V_{OUTB} = I_{OUTB} \times R_{LOAD} \quad (6)$$

Note that the full-scale value of  $V_{OUTA}$  and  $V_{OUTB}$  should not exceed the specified output compliance range to maintain specified distortion and linearity performance.

$$V_{DIFF} = (I_{OUTA} - I_{OUTB}) \times R_{LOAD} \quad (7)$$

Substituting the values of  $I_{OUTA}$ ,  $I_{OUTB}$ ,  $I_{REF}$ , and  $V_{DIFF}$  can be expressed as:

$$V_{DIFF} = \{(2 \times DAC\ CODE - 255)/256\} \\ (32 \times R_{LOAD}/R_{SET}) \times V_{REFIO} \quad (8)$$

Equation 7 and Equation 8 highlight some of the advantages of operating the AD9748 differentially. First, the differential operation helps cancel common-mode error sources associated with  $I_{OUTA}$  and  $I_{OUTB}$ , such as noise, distortion, and dc offsets. Second, the differential code dependent current and subsequent voltage,  $V_{DIFF}$ , is twice the value of the single-ended voltage output (that is,  $V_{OUTA}$  or  $V_{OUTB}$ ), thus providing twice the signal power to the load.

Note that the gain drift temperature performance for a single-ended ( $V_{OUTA}$  and  $V_{OUTB}$ ) or differential output ( $V_{DIFF}$ ) of the AD9748 can be enhanced by selecting temperature tracking resistors for  $R_{LOAD}$  and  $R_{SET}$  due to their ratiometric relationship, as shown in Equation 8.

## ANALOG OUTPUTS

The complementary current outputs in each DAC,  $I_{OUTA}$ , and  $I_{OUTB}$  can be configured for single-ended or differential operation.  $I_{OUTA}$  and  $I_{OUTB}$  can be converted into complementary single-ended voltage outputs,  $V_{OUTA}$  and  $V_{OUTB}$ , via a load resistor,  $R_{LOAD}$ , as described in the DAC Transfer Function section by Equation 5 through Equation 8. The differential voltage,  $V_{DIFF}$ , existing between  $V_{OUTA}$  and  $V_{OUTB}$ , can also be converted to a single-ended voltage via a transformer or differential amplifier configuration. The ac performance of the AD9748 is optimum and specified using a differential transformer-coupled output in which the voltage swing at  $I_{OUTA}$  and  $I_{OUTB}$  is limited to  $\pm 0.5$  V.

The distortion and noise performance of the AD9748 can be enhanced when it is configured for differential operation. The common-mode error sources of both  $I_{OUTA}$  and  $I_{OUTB}$  can be significantly reduced by the common-mode rejection of a transformer or differential amplifier. These common-mode error sources include even-order distortion products and noise. The enhancement in distortion performance becomes more significant as the frequency content of the reconstructed waveform increases and/or its amplitude decreases. This is due to the first-order cancellation of various dynamic common-mode distortion mechanisms, digital feedthrough, and noise.

Performing a differential-to-single-ended conversion via a transformer also provides the ability to deliver twice the reconstructed signal power to the load (assuming no source termination). Because the output currents of  $I_{OUTA}$  and  $I_{OUTB}$  are complementary, they become additive when processed differentially. A properly selected transformer allows the AD9748 to provide the required power and voltage levels to different loads.

The output impedance of IOUTA and IOUTB is determined by the equivalent parallel combination of the PMOS switches associated with the current sources and is typically 100 kΩ in parallel with 5 pF. It is also slightly dependent on the output voltage (that is,  $V_{OUTA}$  and  $V_{OUTB}$ ) due to the nature of a PMOS device. As a result, maintaining IOUTA and/or IOUTB at a virtual ground via an I-V op amp configuration results in the optimum dc linearity. Note that the INL/DNL specifications for the AD9748 are measured with IOUTA maintained at a virtual ground via an op amp.

IOUTA and IOUTB also have a negative and positive voltage compliance range that must be adhered to in order to achieve optimum performance. The negative output compliance range of -1 V is set by the breakdown limits of the CMOS process. Operation beyond this maximum limit can result in a breakdown of the output stage and affect the reliability of the AD9748.

The positive output compliance range is slightly dependent on the full-scale output current,  $I_{OUTFS}$ . It degrades slightly from its nominal 1.2 V for an  $I_{OUTFS} = 20$  mA to 1 V for an  $I_{OUTFS} = 2$  mA. The optimum distortion performance for a single-ended or differential output is achieved when the maximum full-scale signal at IOUTA and IOUTB does not exceed 0.5 V.

**DIGITAL INPUTS**

The AD9748 digital section consists of eight input bit channels and a clock input. The 8-bit parallel data inputs follow standard positive binary coding, where DB7 is the most significant bit (MSB) and DB0 is the least significant bit (LSB). IOUTA produces a full-scale output current when all data bits are at Logic 1. IOUTB produces a complementary output with the full-scale current split between the two outputs as a function of the input code.

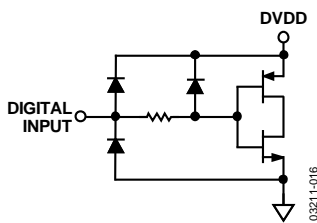


Figure 19. Equivalent Digital Input

The digital interface is implemented using an edge-triggered master/slave latch. The DAC output updates on the rising edge of the clock and is designed to support a clock rate as high as 210 MSPS. The clock can be operated at any duty cycle that meets the specified latch pulse width. The setup and hold times can also be varied within the clock cycle as long as the specified minimum times are met, although the location of these transition edges can affect digital feedthrough and distortion performance. Best performance is typically achieved when the input data transitions on the falling edge of a 50% duty cycle clock.

**CLOCK INPUT**

A configurable clock input allows for one single-ended and two differential modes. The mode selection is controlled by the CMODE input, as summarized in Table 6. Connecting CMODE to CLKCOM selects the single-ended clock input. In this mode, the CLK+ input is driven with rail-to-rail swings and the CLK- input is left floating. If CMODE is connected to CLKVDD, then the differential receiver mode is selected. In this mode, both inputs are high impedance. The final mode is selected by floating CMODE. This mode is also differential, but internal terminations for positive emitter-coupled logic (PECL) are activated. There is no significant performance difference between any of the three clock input modes.

Table 6. Clock Mode Selection

CMODE Pin	Clock Input Mode
CLKCOM	Single-ended
CLKVDD	Differential
Float	PECL

In the single-ended input mode, the CLK+ pin must be driven with rail-to-rail CMOS levels. The quality of the DAC output is directly related to the clock quality, and jitter is a key concern. Any noise or jitter in the clock translates directly into the DAC output. Optimal performance is achieved if the clock input has a sharp rising edge, because the DAC latches are positive edge triggered.

In the differential input mode, the clock input functions as a high impedance differential pair. The common-mode level of the CLK+ and CLK- inputs can vary from 0.75 V to 2.25 V, and the differential voltage can be as low as 0.5 V p-p. This mode can be used to drive the clock with a differential sine wave, because the high gain bandwidth of the differential inputs convert the sine wave into a single-ended square wave internally.

The final clock mode allows for a reduced external component count when the DAC clock is distributed on the board using PECL logic. The internal termination configuration is shown in Figure 20. These termination resistors are untrimmed and can vary up to ±20%. However, matching between the resistors should generally be better than ±1%.

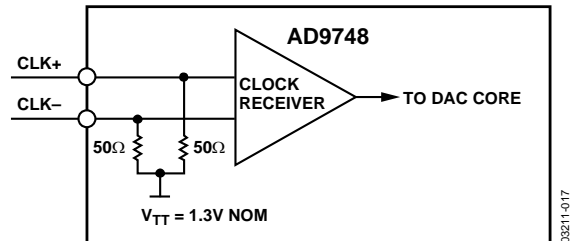


Figure 20. Clock Termination in PECL Mode

**DAC TIMING**

**Input Clock and Data Timing Relationship**

Dynamic performance in a DAC is dependent on the relationship between the position of the clock edges and the time at which the input data changes. The AD9748 is rising edge triggered, and so exhibits dynamic performance sensitivity when the data transition is close to this edge. In general, the goal when applying the AD9748 is to make the data transition close to the falling clock edge. This becomes more important as the sample rate increases. Figure 21 shows the relationship of SFDR to clock placement with different sample rates. Note that at the lower sample rates, more tolerance is allowed in clock placement, while at higher rates, more care must be taken.

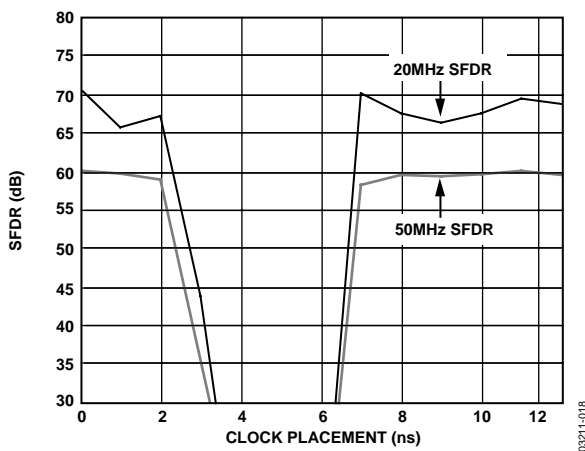


Figure 21. SFDR vs. Clock Placement @  $f_{OUT} = 20\text{ MHz}$  and  $50\text{ MHz}$  ( $f_{CLOCK} = 165\text{ MSPS}$ )

**Sleep Mode Operation**

The AD9748 has a power-down function that turns off the output current and reduces the supply current to less than 6 mA over the specified supply range of 2.7 V to 3.6 V and the temperature range. This mode can be activated by applying a Logic Level 1 to the SLEEP pin. The SLEEP pin logic threshold is equal to  $0.5 \Omega AVDD$ . This digital input also contains an active pull-down circuit that ensures that the AD9748 remains enabled if this input is left disconnected. The AD9748 takes less than 50 ns to power down and approximately 5  $\mu\text{s}$  to power back up.

**POWER DISSIPATION**

The power dissipation,  $P_d$ , of the AD9748 is dependent on several factors that include the:

- Power supply voltages ( $AVDD$ ,  $CLKVDD$ , and  $DVDD$ )
- Full-scale current output ( $I_{OUTFS}$ )
- Update rate ( $f_{CLOCK}$ )
- Reconstructed digital input waveform

The power dissipation is directly proportional to the analog supply current,  $I_{AVDD}$ , and the digital supply current,  $I_{DVDD}$ .  $I_{AVDD}$  is directly proportional to  $I_{OUTFS}$ , as shown in Figure 22, and is insensitive to  $f_{CLOCK}$ .

Conversely,  $I_{DVDD}$  is dependent on both the digital input waveform,  $f_{CLOCK}$ , and digital supply  $DVDD$ . Figure 23 shows  $I_{DVDD}$  as a function of full-scale sine wave output ratios ( $f_{OUT}/f_{CLOCK}$ ) for various update rates with  $DVDD = 3.3\text{ V}$ .

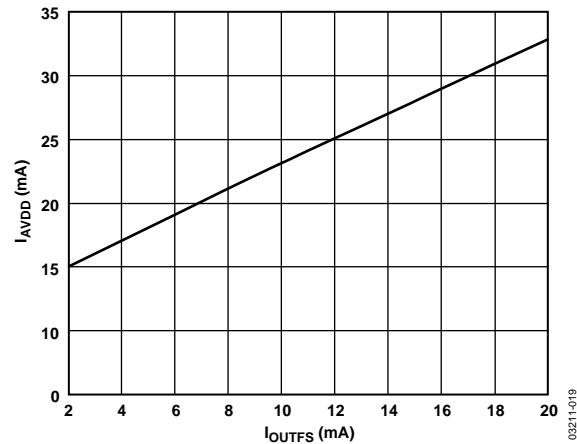


Figure 22.  $I_{AVDD}$  vs.  $I_{OUTFS}$

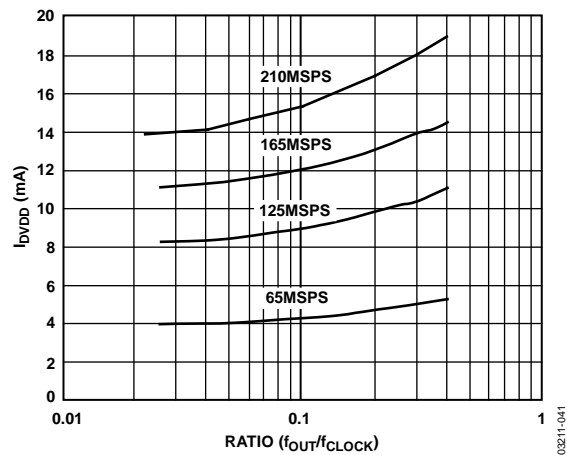


Figure 23.  $I_{DVDD}$  vs. Ratio @  $DVDD = 3.3\text{ V}$

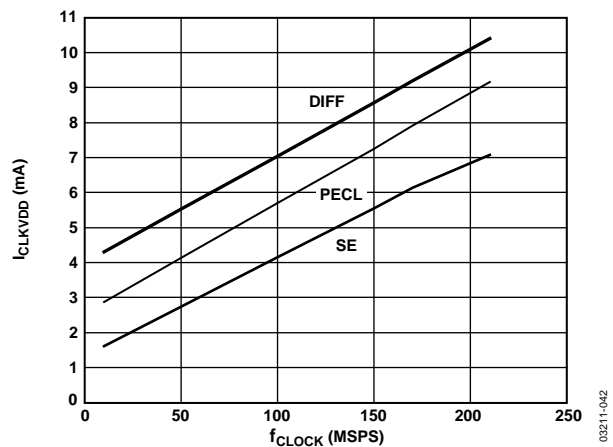


Figure 24.  $I_{CLKVDD}$  vs.  $f_{CLOCK}$  and Clock Mode



## APPLYING THE AD9748

### Output Configurations

The following sections illustrate some typical output configurations for the AD9748. Unless otherwise noted, it is assumed that  $I_{OUTFS}$  is set to a nominal 20 mA. For applications requiring the optimum dynamic performance, a differential output configuration is suggested. A differential output configuration can consist of either an RF transformer or a differential op amp configuration. The transformer configuration provides the optimum high frequency performance and is recommended for any application that allows ac coupling. The differential op amp configuration is suitable for applications requiring dc coupling, bipolar output, signal gain, and/or level shifting within the bandwidth of the chosen op amp.

A single-ended output is suitable for applications requiring a unipolar voltage output. A positive unipolar output voltage results if  $I_{OUTA}$  and/or  $I_{OUTB}$  is connected to an appropriately sized load resistor,  $R_{LOAD}$ , referred to ACOM. This configuration can be more suitable for a single-supply system requiring a dc-coupled, ground referred output voltage. Alternatively, an amplifier could be configured as an I-V converter, thus converting  $I_{OUTA}$  or  $I_{OUTB}$  into a negative unipolar voltage. This configuration provides the best dc linearity because  $I_{OUTA}$  or  $I_{OUTB}$  is maintained at a virtual ground.

## DIFFERENTIAL COUPLING USING A TRANSFORMER

An RF transformer can be used to perform a differential-to-single-ended signal conversion, as shown in Figure 25. A differentially coupled transformer output provides the optimum distortion performance for output signals whose spectral content lies within the transformer's pass band. An RF transformer, such as the Mini-Circuits® T1-1T, provides excellent rejection of common-mode distortion (that is, even-order harmonics) and noise over a wide frequency range. It also provides electrical isolation and the ability to deliver twice the power to the load. Transformers with different impedance ratios can also be used for impedance matching purposes. Note that the transformer provides ac coupling only.

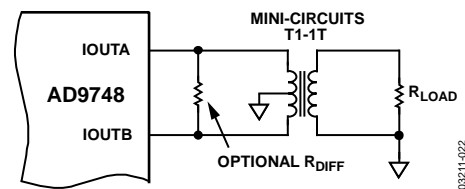


Figure 25. Differential Output Using a Transformer

The center tap on the primary side of the transformer must be connected to ACOM to provide the necessary dc current path for both  $I_{OUTA}$  and  $I_{OUTB}$ . The complementary voltages appearing at  $I_{OUTA}$  and  $I_{OUTB}$  (that is,  $V_{OUTA}$  and  $V_{OUTB}$ ) swing symmetrically around ACOM and should be maintained with the specified output compliance range of the AD9748. A differential resistor,  $R_{DIFF}$ , can be inserted in applications where the output of the transformer is connected to the load,  $R_{LOAD}$ , via a passive reconstruction filter or cable.  $R_{DIFF}$  is determined by the transformer's impedance ratio and provides the proper source termination that results in a low VSWR. Note that approximately half the signal power is dissipated across  $R_{DIFF}$ .

## DIFFERENTIAL COUPLING USING AN OP AMP

An op amp can also be used to perform a differential-to-single-ended conversion, as shown in Figure 26. The AD9748 is configured with two equal load resistors,  $R_{LOAD}$ , of  $25\ \Omega$ . The differential voltage developed across  $I_{OUTA}$  and  $I_{OUTB}$  is converted to a single-ended signal via the differential op amp configuration. An optional capacitor can be installed across  $I_{OUTA}$  and  $I_{OUTB}$ , forming a real pole in a low-pass filter. The addition of this capacitor also enhances the op amp's distortion performance by preventing the DAC's high slewing output from overloading the op amp's input.

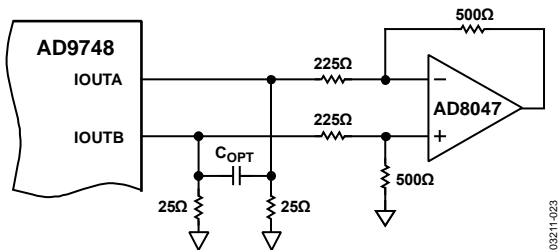


Figure 26. DC Differential Coupling Using an Op Amp

The common-mode rejection of this configuration is typically determined by the resistor matching. In this circuit, the differential op amp circuit using the AD8047 is configured to provide some additional signal gain. The op amp must operate off a dual supply because its output is approximately  $\pm 1\text{ V}$ . A high speed amplifier capable of preserving the differential performance of the AD9748 while meeting other system level objectives (that is, cost or power) should be selected. The op amp's differential gain, gain setting resistor values, and full-scale output swing capabilities should all be considered when optimizing this circuit.

The differential circuit shown in Figure 27 provides the necessary level shifting required in a single-supply system. In this case,  $AVDD$ , which is the positive analog supply for both the AD9748 and the op amp, is also used to level shift the differential output of the AD9748 to midsupply (that is,  $AVDD/2$ ). The AD8041 is a suitable op amp for this application.

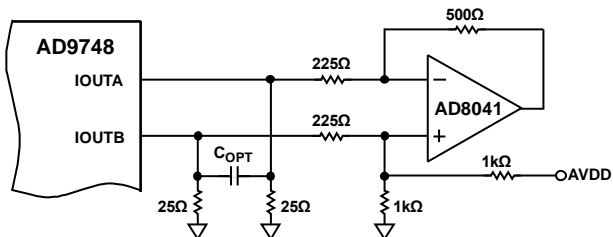


Figure 27. Single-Supply DC Differential Coupled Circuit

## SINGLE-ENDED, UNBUFFERED VOLTAGE OUTPUT

Figure 28 shows the AD9748 configured to provide a unipolar output range of approximately  $0\text{ V}$  to  $0.5\text{ V}$  for a doubly terminated  $50\ \Omega$  load. The nominal full-scale current,  $I_{OUTFS}$ , of  $20\text{ mA}$  flows through the equivalent  $R_{LOAD}$  of  $25\ \Omega$ . In this case,  $R_{LOAD}$  represents the equivalent load resistance seen by  $I_{OUTA}$  or  $I_{OUTB}$ . The unused output ( $I_{OUTA}$  or  $I_{OUTB}$ ) can be connected to  $ACOM$  directly or via a matching  $R_{LOAD}$ . Different values of  $I_{OUTFS}$  and  $R_{LOAD}$  can be selected as long as the positive compliance range is adhered to. One additional consideration in this mode is the integral nonlinearity (INL), discussed in the Analog Outputs section. For optimum INL performance, the single-ended, buffered voltage output configuration is suggested.

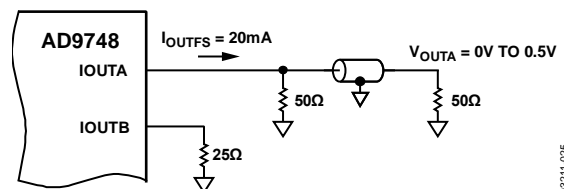


Figure 28.  $0\text{ V}$  to  $0.5\text{ V}$  Unbuffered Voltage Output

## SINGLE-ENDED, BUFFERED VOLTAGE OUTPUT CONFIGURATION

Figure 29 shows a buffered single-ended output configuration in which the op amp U1 performs an I-V conversion on the AD9748 output current. U1 maintains  $I_{OUTA}$  (or  $I_{OUTB}$ ) at a virtual ground, minimizing the nonlinear output impedance effect on the DAC's INL performance as described in the Analog Outputs section. Although this single-ended configuration typically provides the best dc linearity performance, its ac distortion performance at higher DAC update rates can be limited by U1's slew rate capabilities. U1 provides a negative unipolar output voltage, and its full-scale output voltage is simply the product of  $R_{FB}$  and  $I_{OUTFS}$ . The full-scale output should be set within U1's voltage output swing capabilities by scaling  $I_{OUTFS}$  and/or  $R_{FB}$ . An improvement in ac distortion performance can result with a reduced  $I_{OUTFS}$  because U1 is required to sink less signal current.

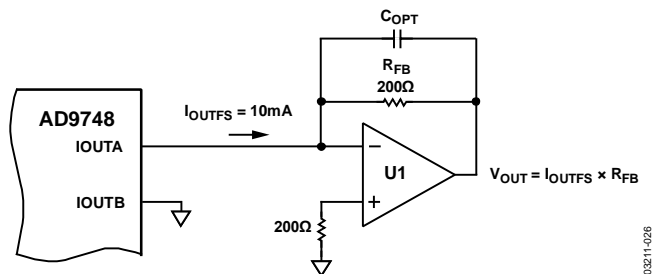


Figure 29. Unipolar Buffered Voltage Output



**POWER AND GROUNDING CONSIDERATIONS, POWER SUPPLY REJECTION**

Many applications seek high speed and high performance under less than ideal operating conditions. In these application circuits, the implementation and construction of the printed circuit board is as important as the circuit design. Proper PCB techniques must be used for device selection, placement, and routing as well as power supply bypassing and grounding to ensure optimum performance. Figure 35 to Figure 38 illustrate the recommended printed circuit board ground, power, and signal plane layouts implemented on the AD9748 evaluation board.

One factor that can measurably affect system performance is the ability of the DAC output to reject dc variations or ac noise superimposed on the analog or digital dc power distribution. This is referred to as the power supply rejection ratio (PSRR). For dc variations of the power supply, the resulting performance of the DAC directly corresponds to a gain error associated with the DAC's full-scale current,  $I_{OUTFS}$ . AC noise on the dc supplies is common in applications where the power distribution is generated by a switching power supply. Typically, switching power supply noise occurs over the spectrum from tens of kilohertz to several megahertz. The PSRR vs. frequency of the AD9748 AVDD supply over this frequency range is shown in Figure 30.

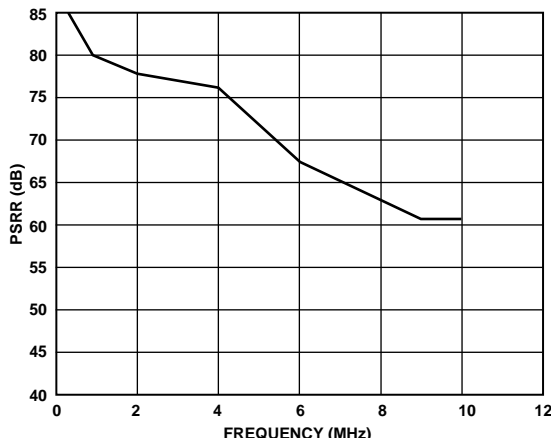


Figure 30. Power Supply Rejection Ratio (PSRR)

Note that the ratio in Figure 30 is calculated as amps out/volts in. Noise on the analog power supply has the effect of modulating the internal switches, and therefore the output current. The voltage noise on AVDD, therefore, is added in a nonlinear manner to the desired IOUT. Due to the relative different size of these switches, the PSRR is very code dependent. This can produce a mixing effect that can modulate low frequency power supply noise to higher frequencies. Worst-case PSRR for either one of the differential DAC outputs occurs when the full-scale current is directed toward that output. As a result, the PSRR measurement in Figure 30 represents a worst-case condition in which the digital inputs remain static and the full-scale output current of 20 mA is directed to the DAC output being measured.

The following illustrates the effect of supply noise on the analog supply. Suppose a switching regulator with a switching frequency of 250 kHz produces 10 mV of noise and, for simplicity's sake (ignoring harmonics), all of this noise is concentrated at 250 kHz. To calculate how much of this undesired noise appears as current noise superimposed on the DAC's full-scale current,  $I_{OUTFS}$ , users must determine the PSRR in dB using Figure 30 at 250 kHz. To calculate the PSRR for a given  $R_{LOAD}$ , such that the units of PSRR are converted from A/V to V/V, adjust the curve in Figure 30 by the scaling factor  $20 \log \left( \frac{I_{OUTFS}}{R_{LOAD}} \right)$ . For instance, if  $R_{LOAD}$  is 50  $\Omega$ , then the PSRR is reduced by 34 dB (that is, PSRR of the DAC at 250 kHz, which is 85 dB in Figure 30, becomes 51 dB  $V_{OUT}/V_{IN}$ ).

Proper grounding and decoupling should be a primary objective in any high speed, high resolution system. The AD9748 features separate analog and digital supplies and ground pins to optimize the management of analog and digital ground currents in a system. In general, AVDD, the analog supply, should be decoupled to ACOM, the analog common, as close to the chip as physically possible. Similarly, DVDD, the digital supply, should be decoupled to DCOM as close to the chip as physically possible.

For those applications that require a single 3.3 V supply for both the analog and digital supplies, a clean analog supply can be generated using the circuit shown in Figure 31. The circuit consists of a differential LC filter with separate power supply and return lines. Lower noise can be attained by using low ESR type electrolytic and tantalum capacitors.

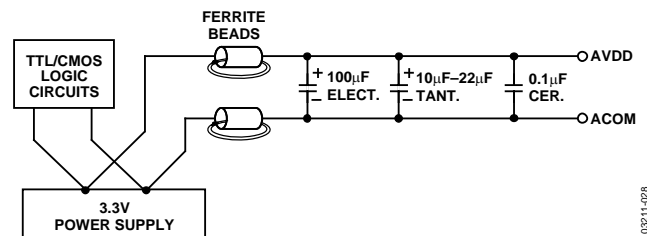


Figure 31. Differential LC Filter for Single 3.3 V Applications

## EVALUATION BOARD

### GENERAL DESCRIPTION

The [AD9748](#) evaluation boards allow for easy setup and testing of the product in the LFCSP package. Careful attention to layout and circuit design, combined with a prototyping area, allows the user to evaluate the [AD9748](#) easily and effectively in any application where high resolution, high speed conversion is required.

This board allows the user the flexibility to operate the [AD9748](#) in various configurations. Possible output configurations include transformer coupled, resistor terminated, and single and differential outputs. The digital inputs are designed to be driven from various word generators, with the on-board option to add a resistor network for proper load termination. Provisions are also made to exercise the power-down feature of the [AD9748](#) and select the clock and data modes.

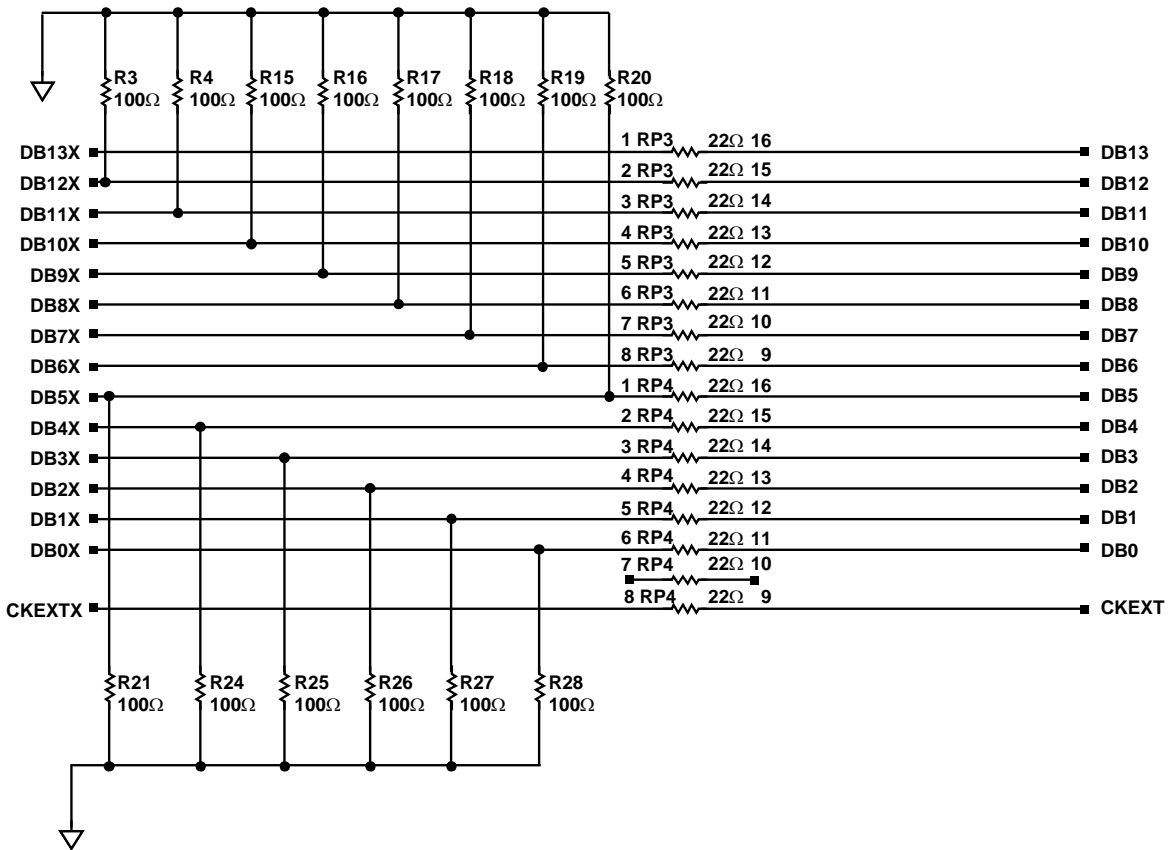
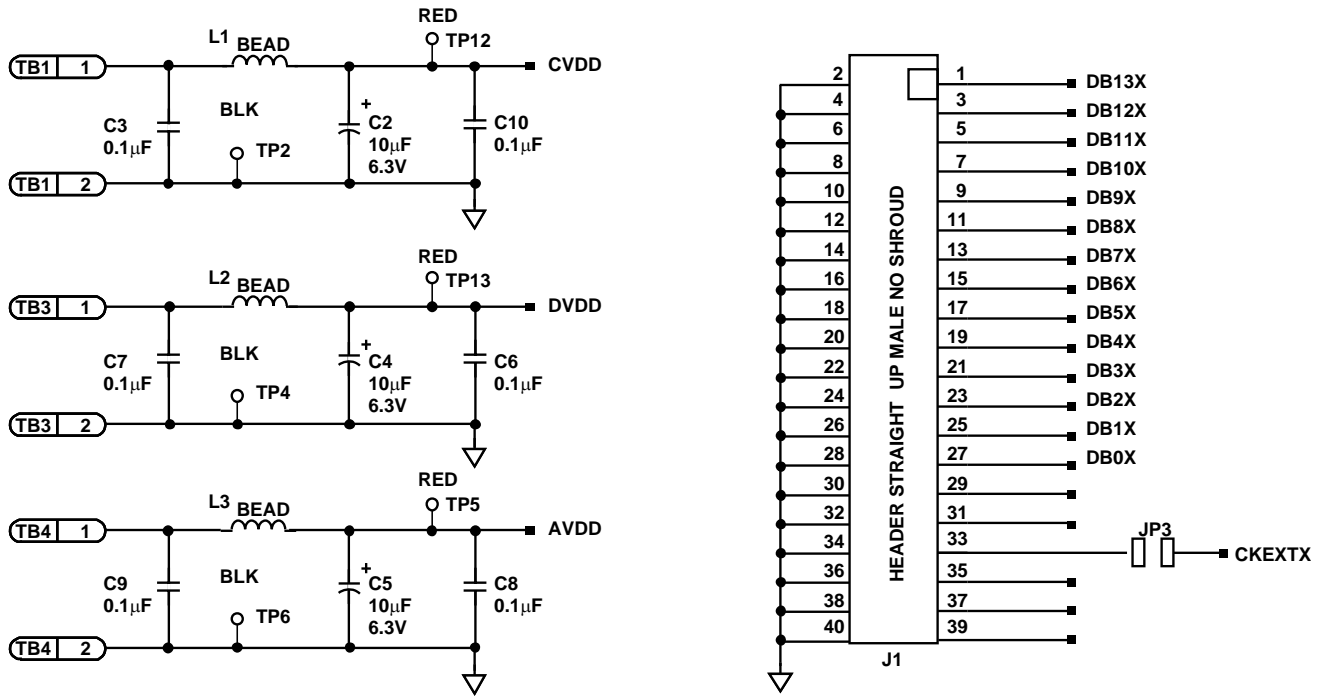


Figure 32. Evaluation Board Schematic—Power Supply and Digital Inputs

03211-029

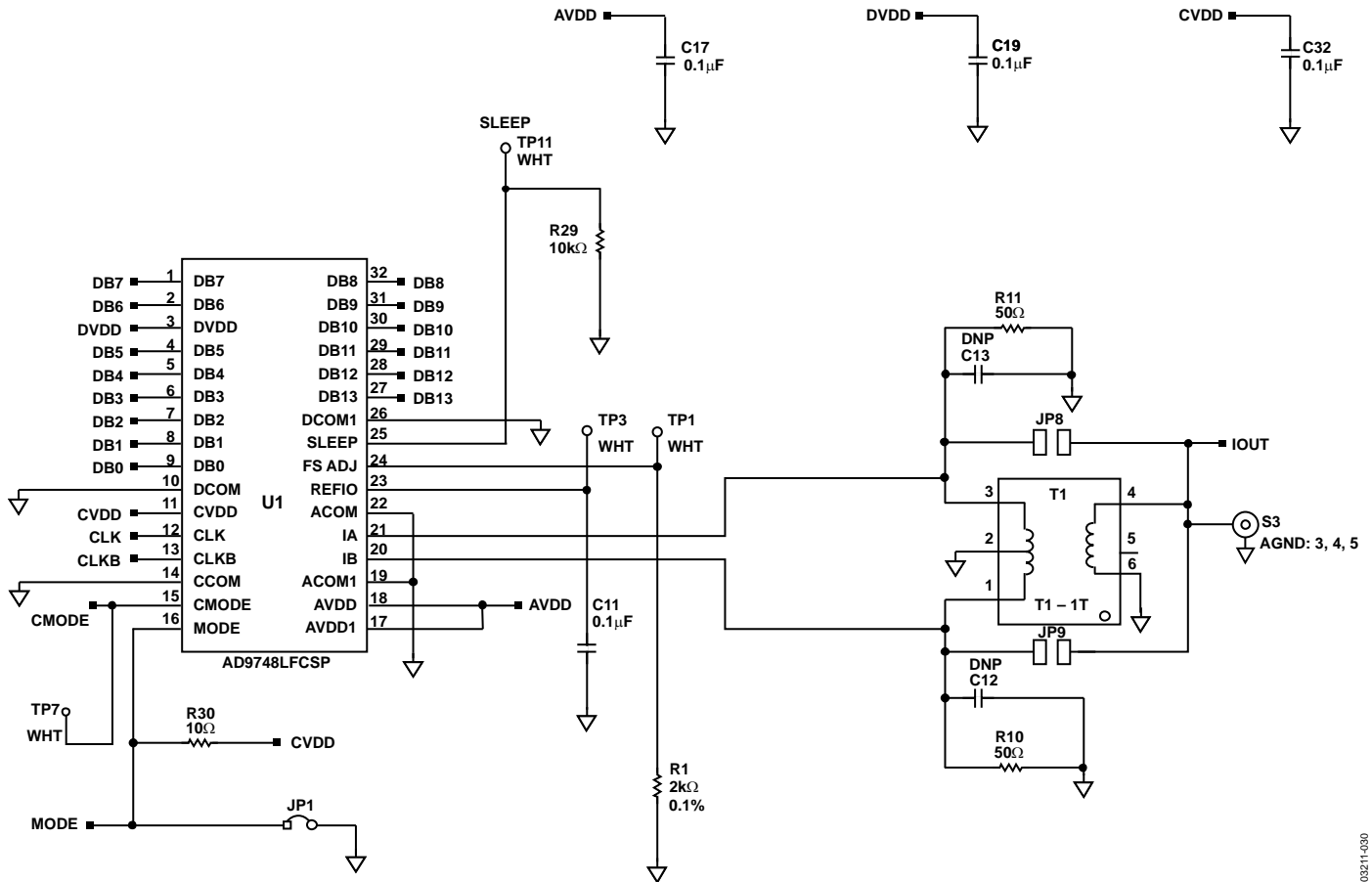


Figure 33. Evaluation Board Schematic—Output Signal Conditioning

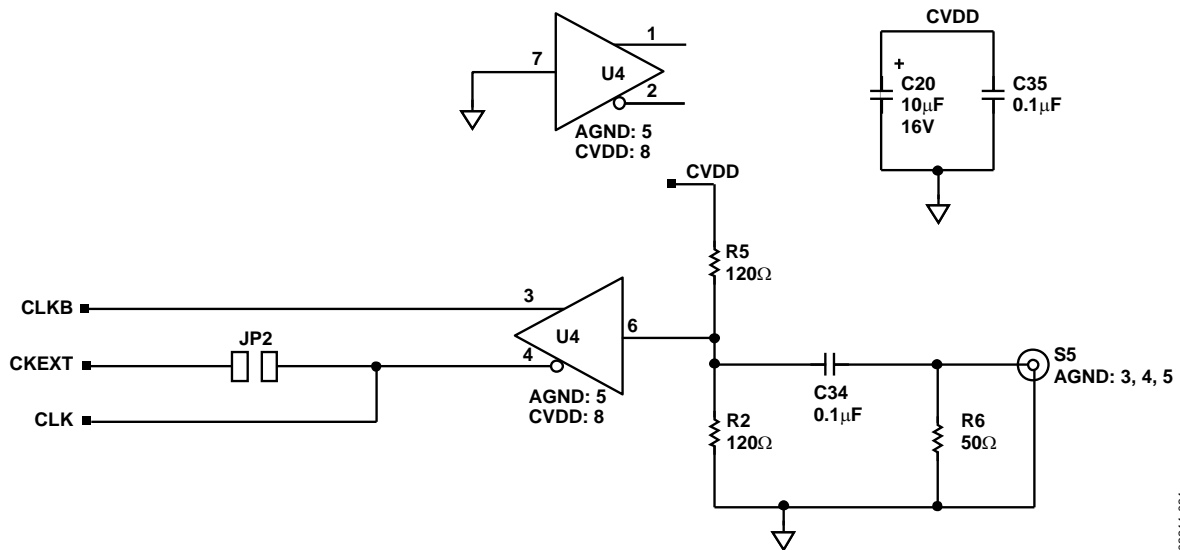
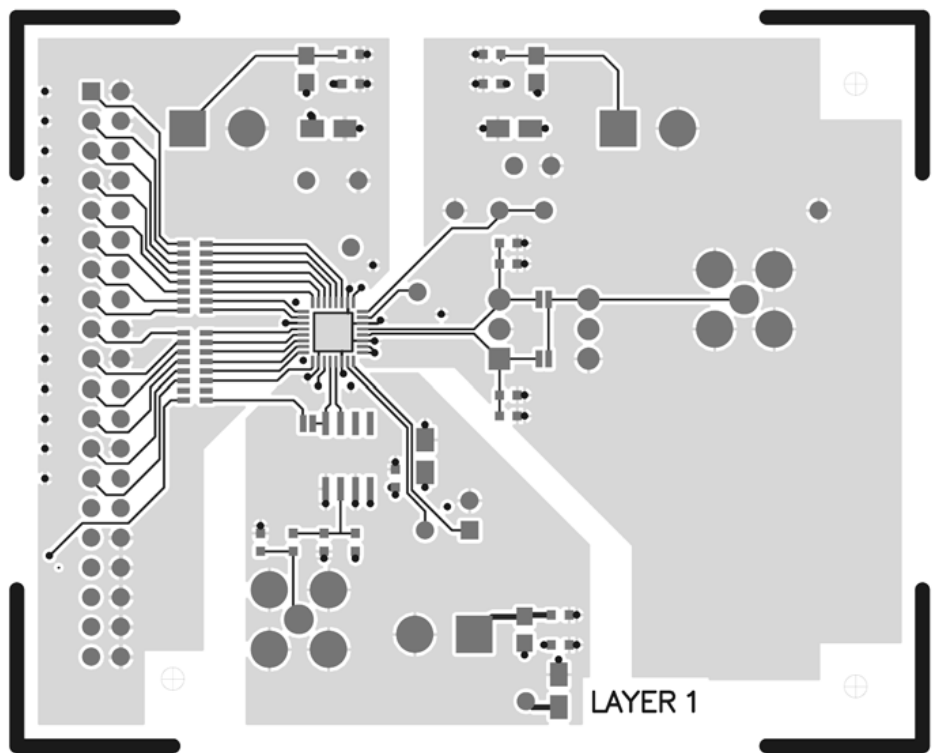


Figure 34. Evaluation Board Schematic—Clock Input



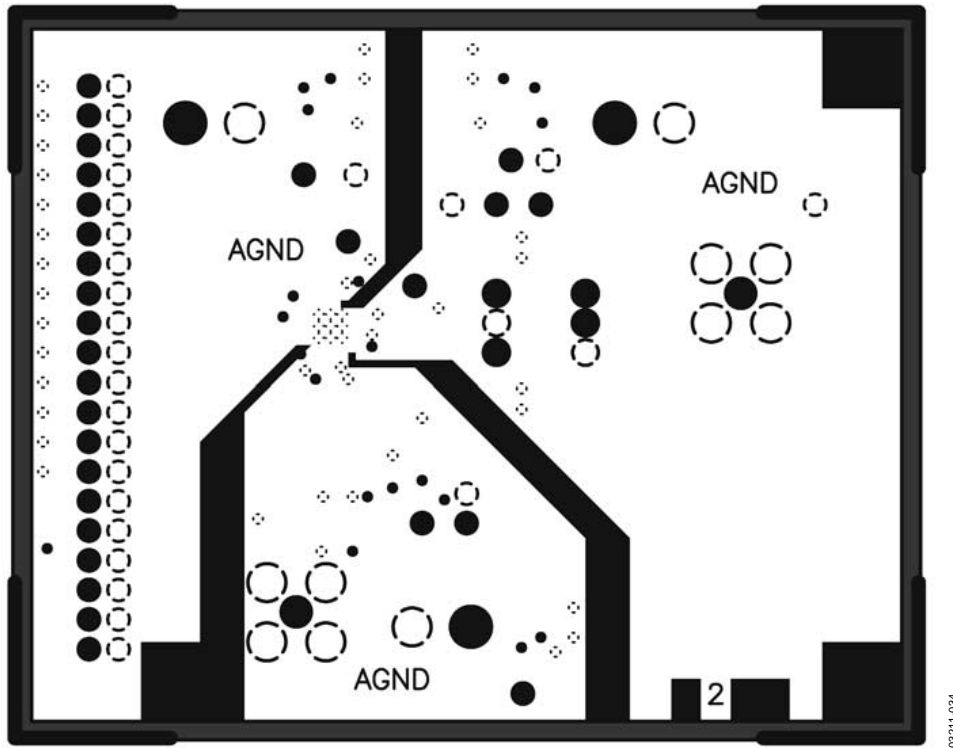
03211-002

Figure 35. Evaluation Board Layout—Primary Side



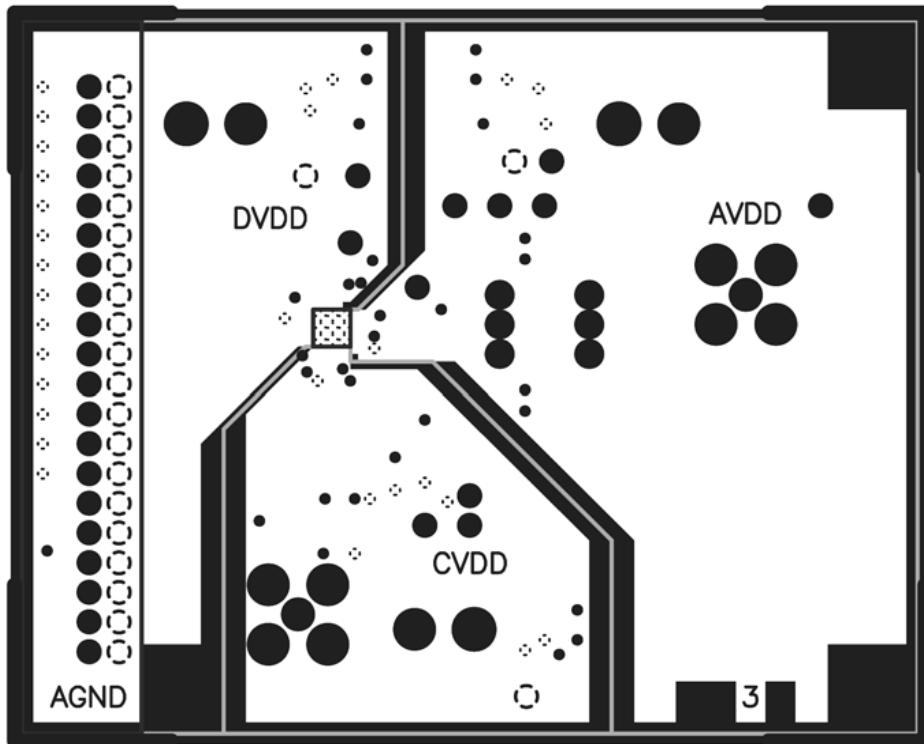
03211-003

Figure 36. Evaluation Board Layout—Secondary Side



03211-034

Figure 37. Evaluation Board Layout—Ground Plane



03211-035

Figure 38. Evaluation Board Layout—Power Plane

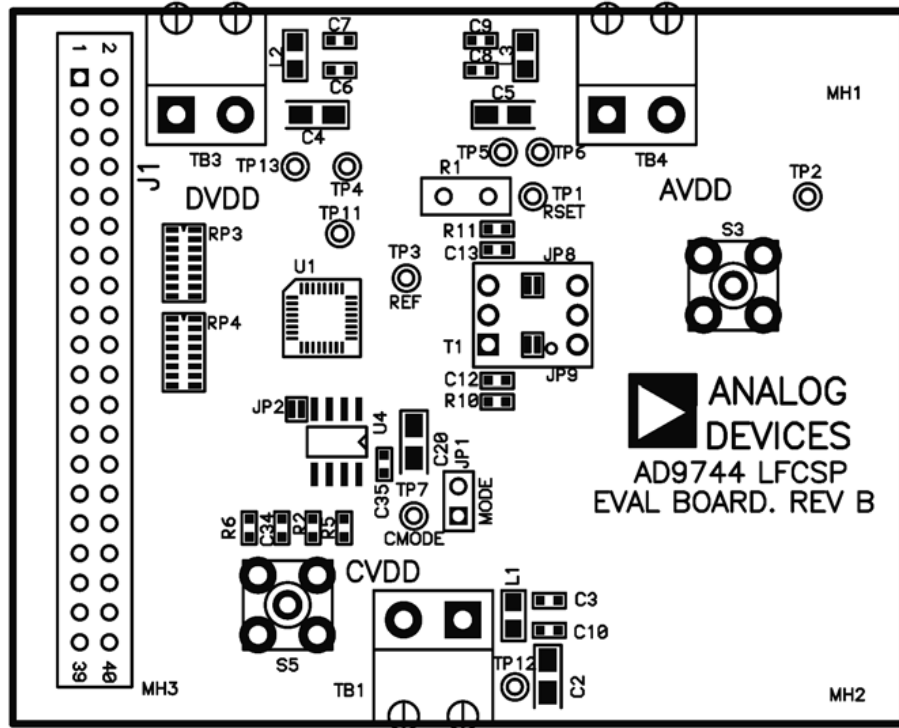


Figure 39. Evaluation Board Layout Assembly—Primary Side

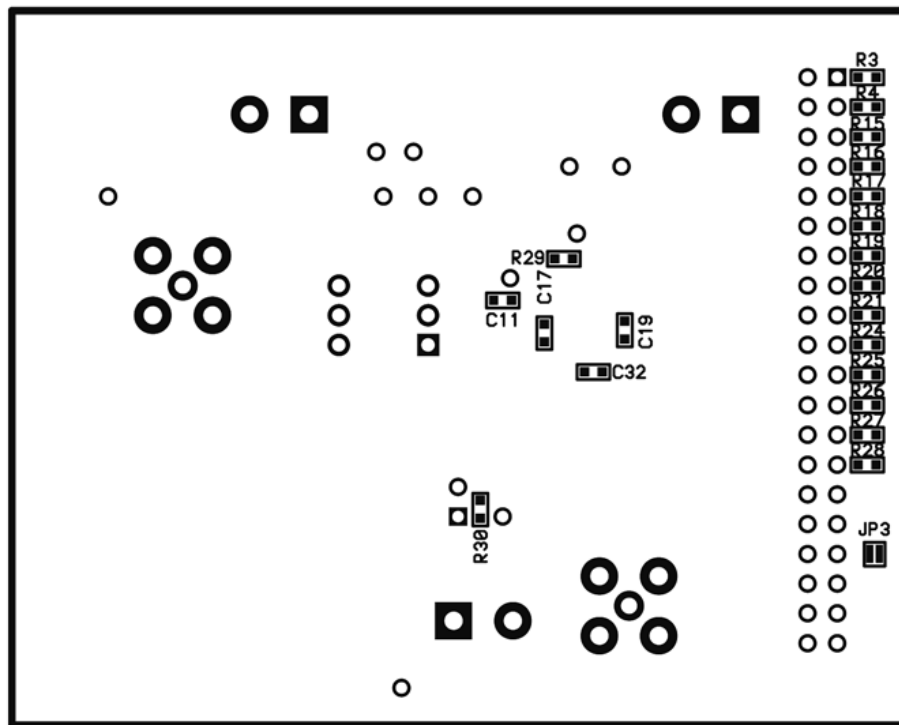
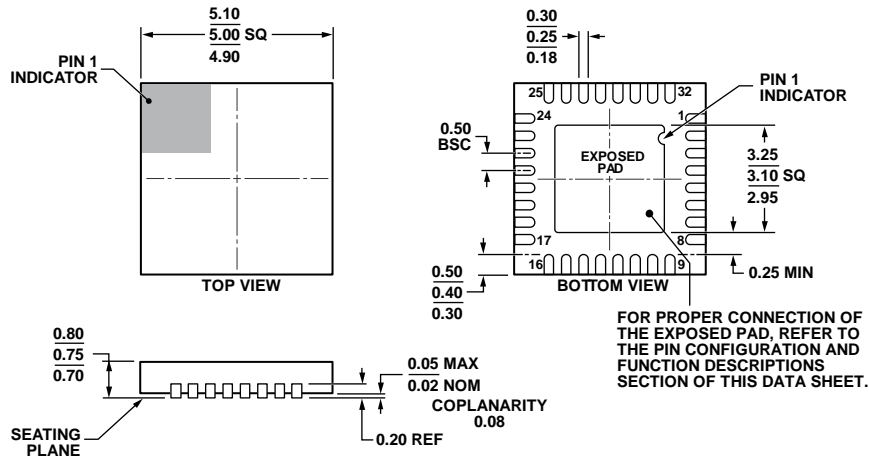


Figure 40. Evaluation Board Layout Assembly—Secondary Side

OUTLINE DIMENSIONS



COMPLIANT TO JEDEC STANDARDS MO-220-WHHD.

Figure 41. 32-Lead Lead Frame Chip Scale Package [LFCSP\_WQ]  
 5 mm x 5 mm Body, Very Very Thin Quad  
 (CP-32-7)  
 Dimensions shown in millimeters

11240E-A

ORDERING GUIDE

Model <sup>1</sup>	Temperature Range	Package Description	Package Option
AD9748ACPZ	-40°C to +85°C	32-Lead LFCSP_WQ	CP-32-7
AD9748ACPZRL7	-40°C to +85°C	32-Lead LFCSP_WQ	CP-32-7
AD9748ACP-PCBZ		Evaluation Board	

<sup>1</sup> Z = RoHS Compliant Part.